

Series ESH/PSH High Capacity Mechanical Force Gauge



- Simple, rugged, virtually maintenance free
- High degree of accuracy
- Capacities up to 500 lbs (push and pull)
- No batteries needed
- Intrinsically safe in hazardous environments
- Rugged design for heavy usage
- Heavy duty metal construction
- Tare ring
- Real time and peak mode
- Full set of accessories and carrying case included



All ESH/PSH gauges are sold in kit form.

The ESH/PSH series mechanical force gauges are designed for high capacity measurements to 500 lbs (300 kg). The rugged metal housing and heavy duty springs will withstand the harsh rugged environment of a manufacturing plant, yet the highly accurate, matched springs will ensure reliable results. Sold complete in kit form with gauge, hard plastic carrying case, handles, measuring attachments (ESH includes small hook and flat head. PSH includes flat head, conical, chisel, notched, and small hook), and extension shaft. Four installation bolts are also included for mounting the gauge on a test fixture or other permanent location.

ESH Ranges (Resolution) Accuracy: ESH ±0.5% F.S.

Pounds	
Model	Capacity (Resolution)
ESH-200	200 lb (2 lb)
ESH-300	300 lb (2.5 lb)
ESH-400	400 lb (4 lb)
ESH-500	500 lb (5 lb)

Kilograms	
Model	Capacity (Resolution)
ESH-100 kg	100 kg (1 kg)
ESH-200 kg	200 kg (2 kg)
ESH-300 kg	300 kg (2.5 kg)

Newtons	
Model	Capacity (Resolution)
ESH-1000 N	1000 N (10 N)
ESH-2000 N	2000 N (20 N)
ESH-3000 N	3000 N (25 N)

Note: Use an "R" suffix for reverse display units (for use on vertical test stand)

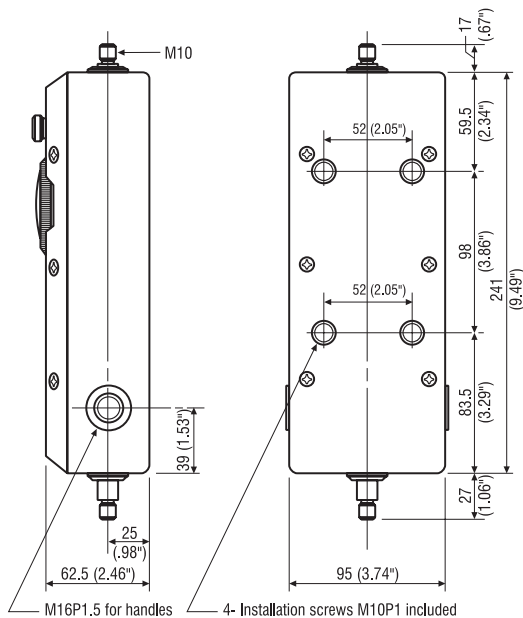
PSH Ranges (Resolution) Accuracy: PSH ±0.3% F.S.

Pounds	
Model	Capacity (Resolution)
PSH-200	200 lb (1 lb)
PSH-300	300 lb (2 lb)
PSH-400	400 lb (2 lb)
PSH-500	500 lb (2.5 lb)

Kilograms	
Model	Capacity (Resolution)
PSH-100 kg	100 kg (0.5 kg)
PSH-200 kg	200 kg (1 kg)
PSH-300 kg	300 kg (2 kg)

Newtons	
Model	Capacity (Resolution)
PSH-1000 N	1000 N (5 N)
PSH-2000 N	2000 N (10 N)
PSH-3000 N	3000 N (20 N)

Note: Use an "R" suffix for reverse display units (for use on vertical pull test stands)



Specifications subject to change without notice.